

**B.Tech. 7th Semester, (F) Scheme (Civil)****Examination, December-2018****ESTIMATING AND COSTING****Paper- CE-405-F***Time allowed : 3 hours]**[Maximum marks : 100*

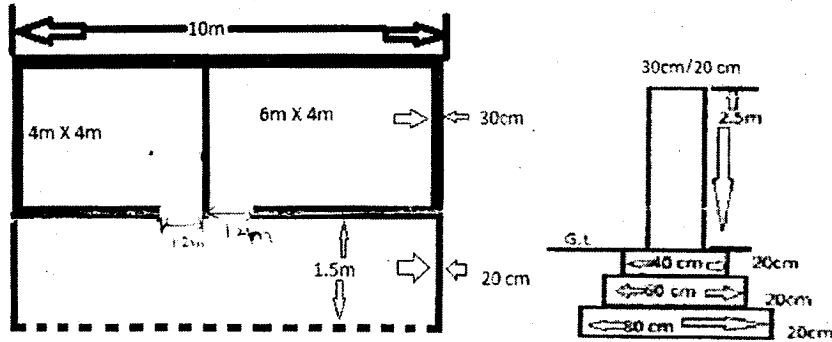
*Note: Question No. 1 is compulsory. Attempt one question from each section.*

1. Explain: 20
- (a) Security money
  - (b) Principle of Estimation
  - (c) Retention money
  - (d) Type of estimate
  - (e) Derived units
  - (f) Difference between scrap and salvage value
  - (g) Cash book
  - (h) Revised and Supplementary estimate.

**Section-A**

2. What do you mean by estimate? Also explain the different method of estimate in detail. 20
3. Find the quantity of earth work, lime concrete in foundation and brick work in super structure of two room with verandah as per plan and elevation given below. And door size 1.2m × 2.0 m 20

( 2 )



### Section-B

4. Write the detail specification for the following item.20
  - (a) Plastering
  - (b) Brickwork
5. Explain the specification for different class of building. 20

### Section-C

6. Find the rate analysis for 10 cu. m RCC work of M20 grade. 20
7. What is rate analysis? Also explain its importance in construction work. Find the rate analysis for 100sq m of DPC 2.5 cm thick. 20

### Section-D

8. (a) Explain the need of muster roll. Also explain the rule to prepare muster roll.  
(b) What is the procedure to maintain measurement book? 20

9. What do you mean by Tender and its acceptance? Describe in detail various terms and condition of contract which are to be formulated while inviting tender for a civil work. 20